



DOGFIGHT
WORKSHOP

DODGE WC51

U.S. Military $\frac{3}{4}$ Ton Truck

scale 1/48

Full 3D printed

1/48 Military Miniature Series No.: 48A03

Overall Length 91mm

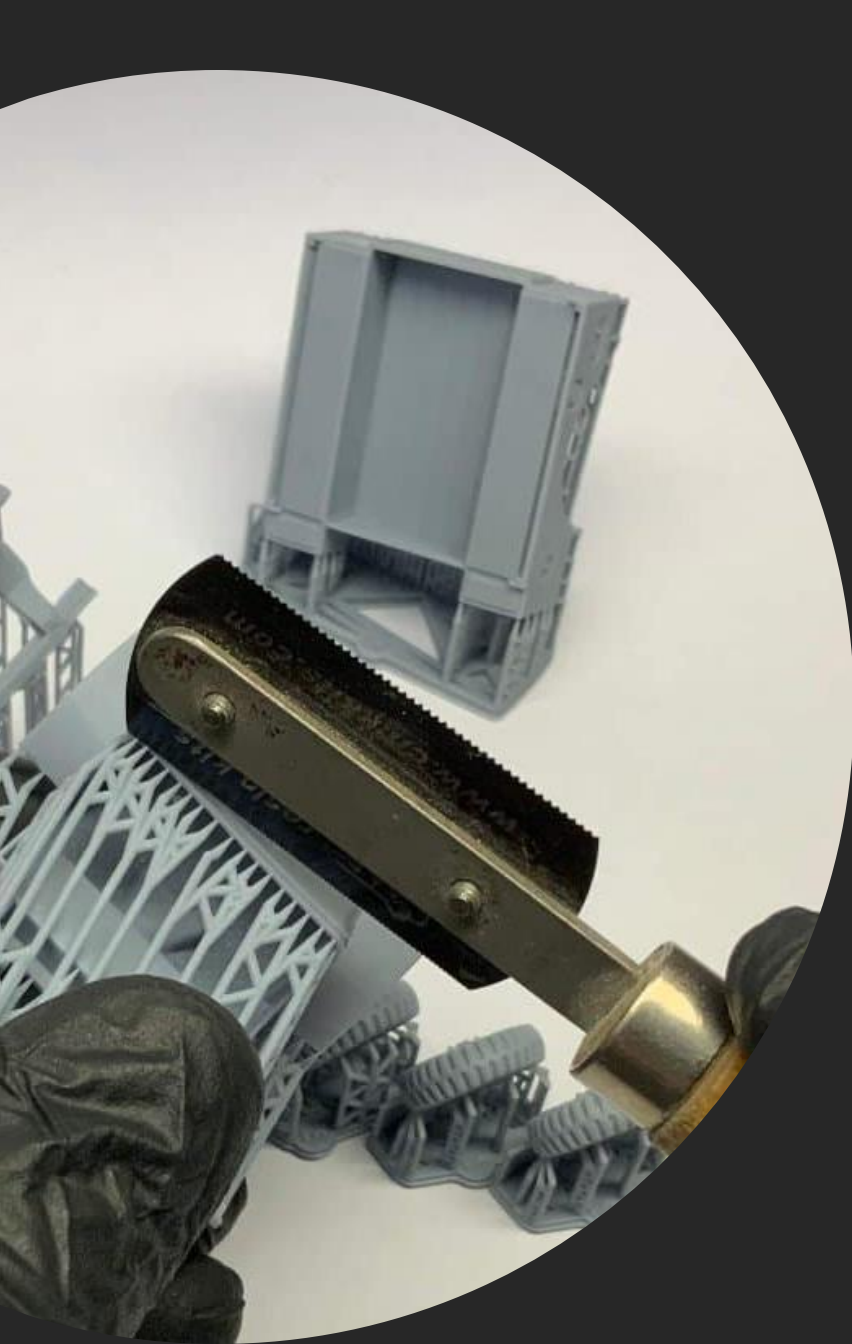


DOGFIGHT
WORKSHOP

Thank you for choosing our product.
Our models are made in 3D
printing technology from
photopolymer resins.

Below are some steps, tips
and tricks on how to prepare
our product for building.

Happy Modelling !



A few tips and tricks in the preparation of our models

- 1 - *Cutting off printing supports ...*
 - *modelling knife*
 - *modelling cutter*
 - *modelling saw*



- 2 - Grinding and sanding ...
- modelling grinding wool
 - modelling sponge
 - modelling file

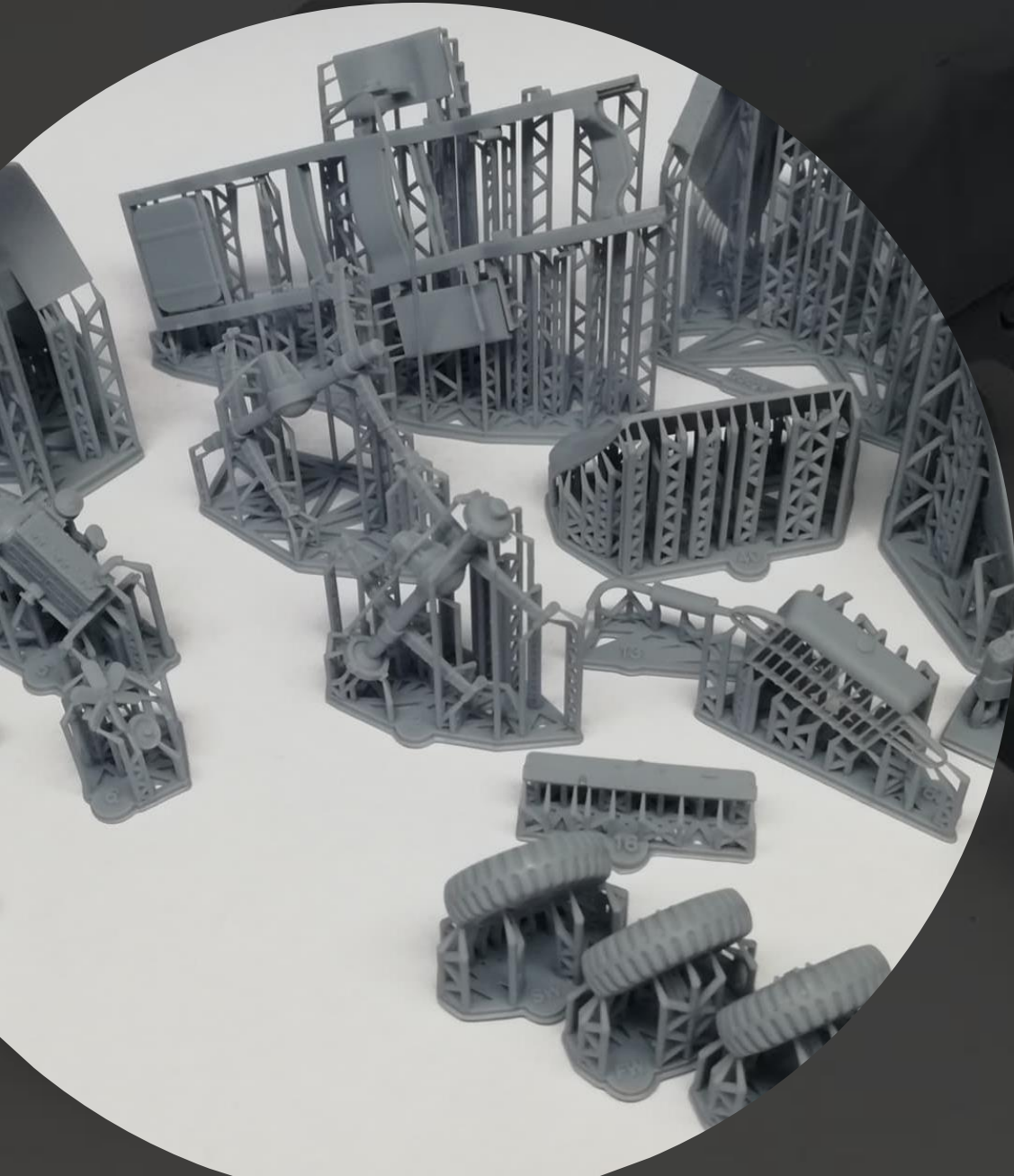


3 - Built and paint ...

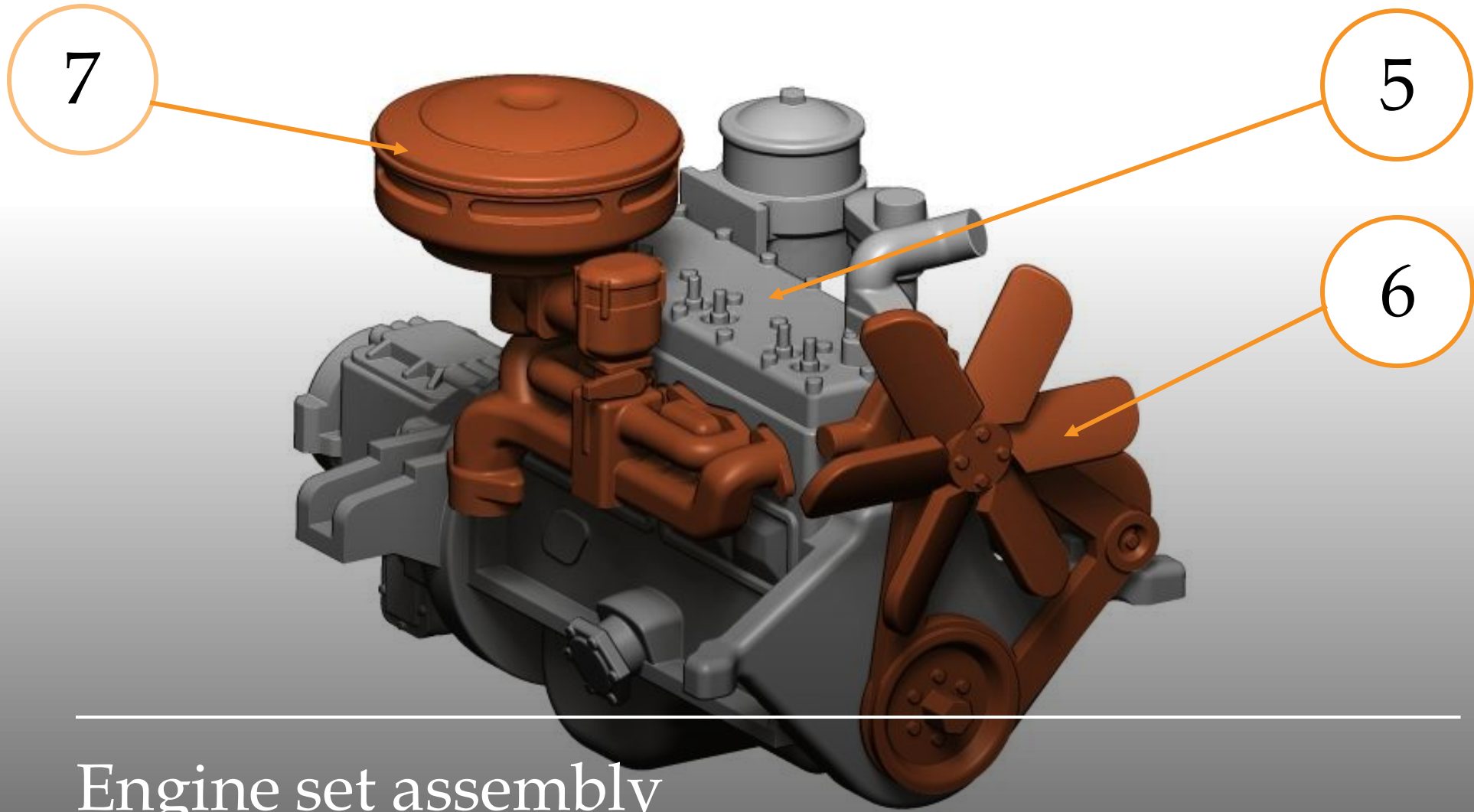
- quick CA glue
- epoxy adhesive
- white glue for clear parts

4 - Priming ...

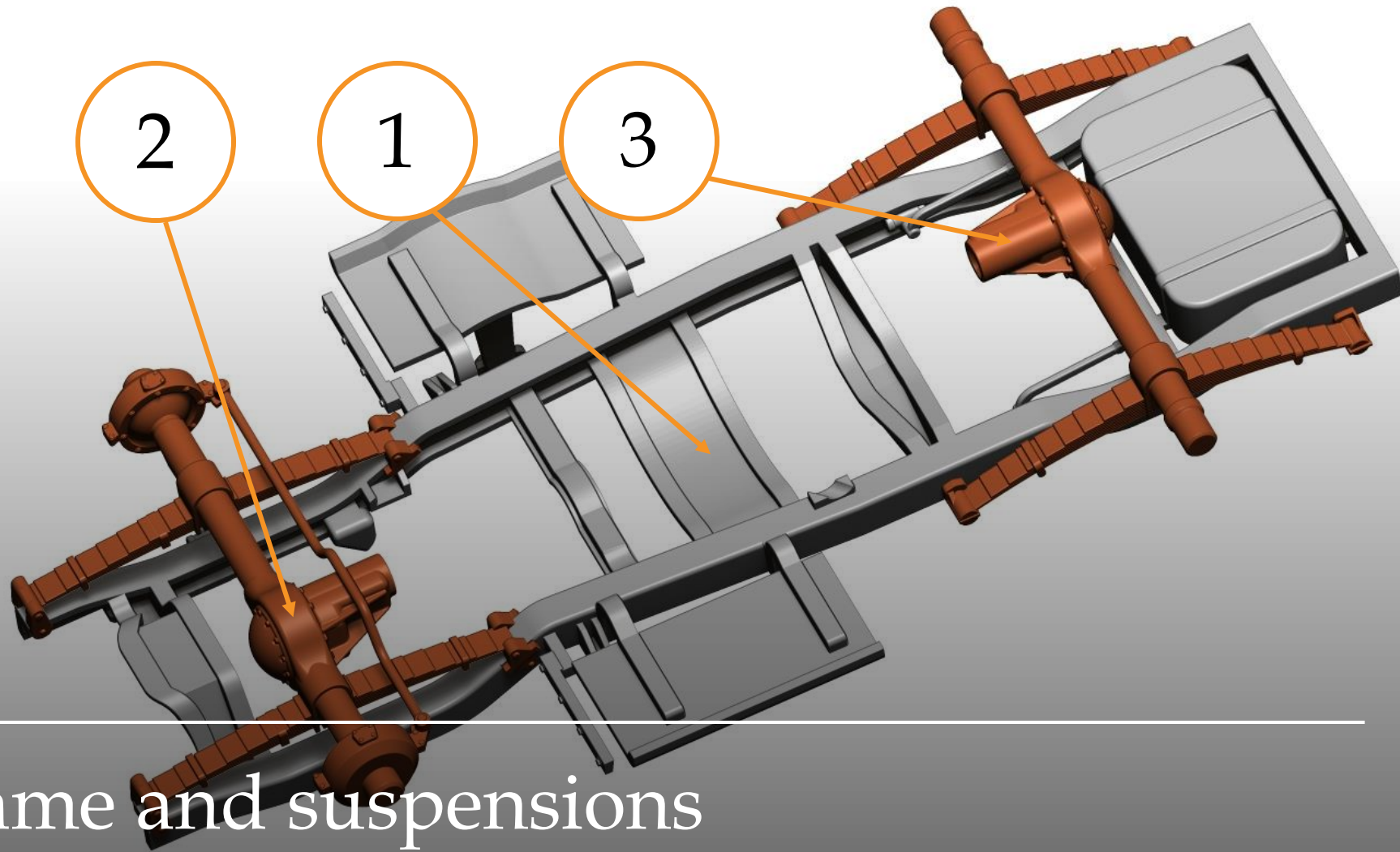
- Surfacer 1200, 1500 for airbrush
- Surface Primer L Fine Spray



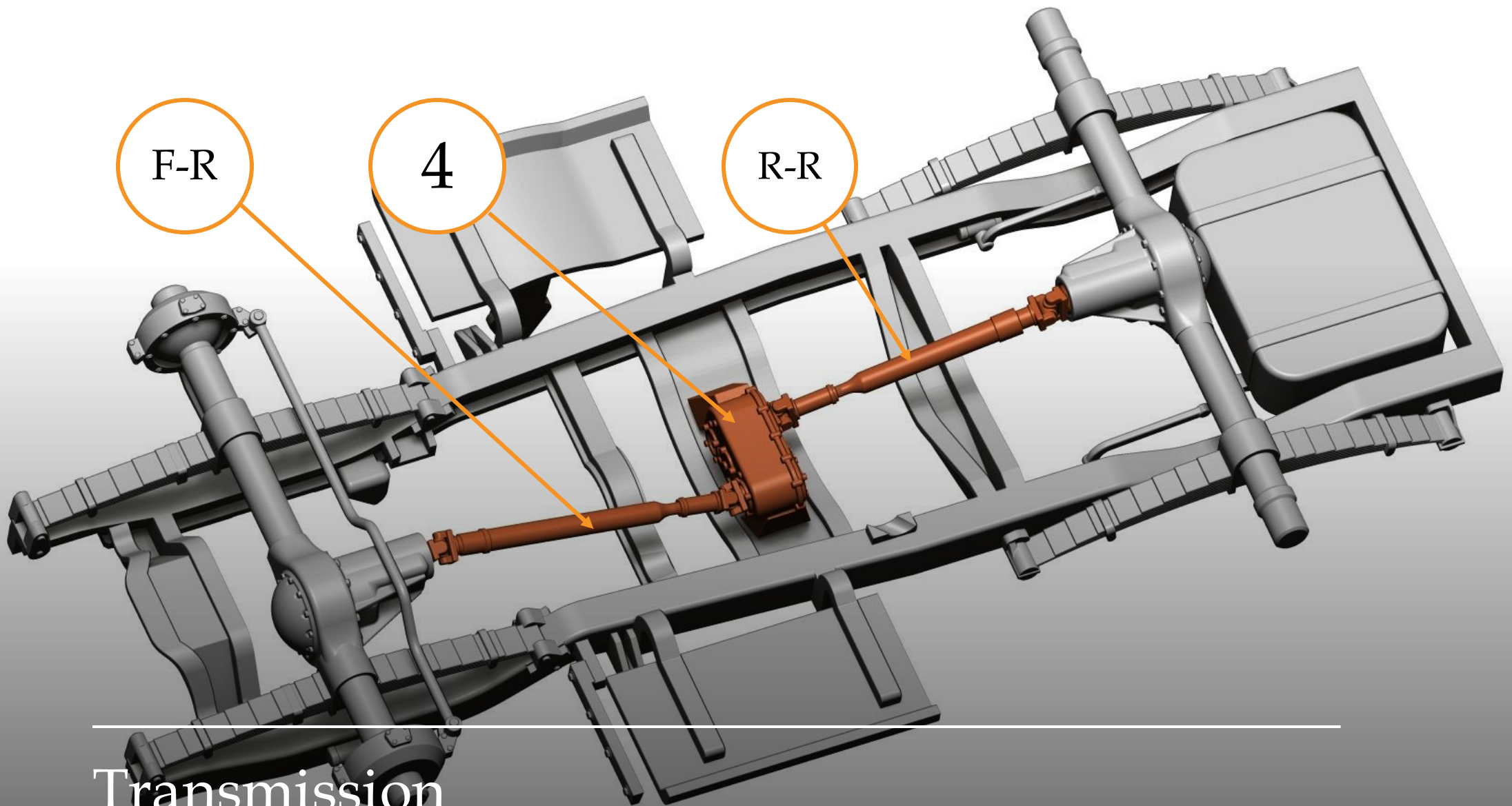
THE BUILD



Engine set assembly



Frame and suspensions



F-R

4

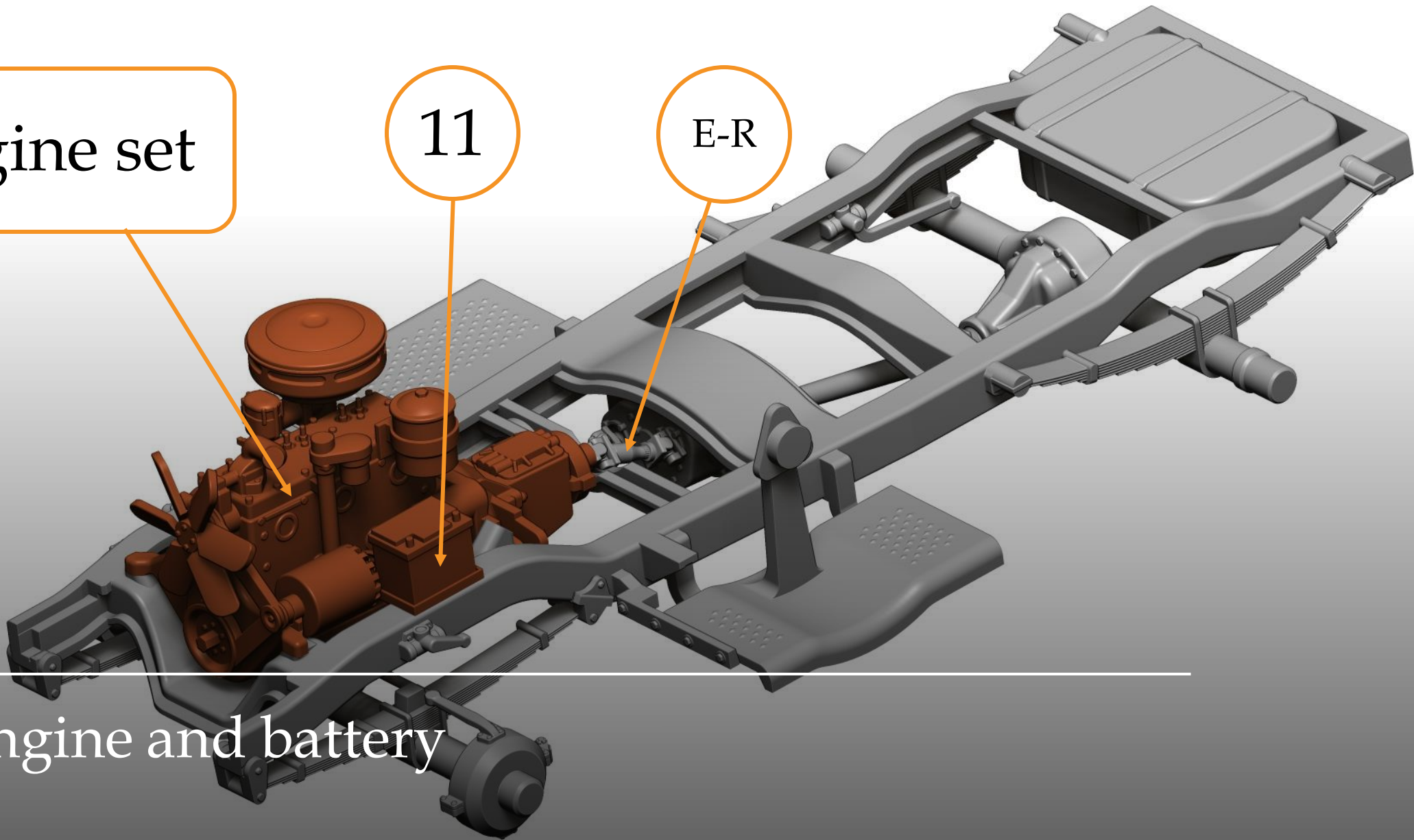
R-R

Transmission

Engine set

11

E-R

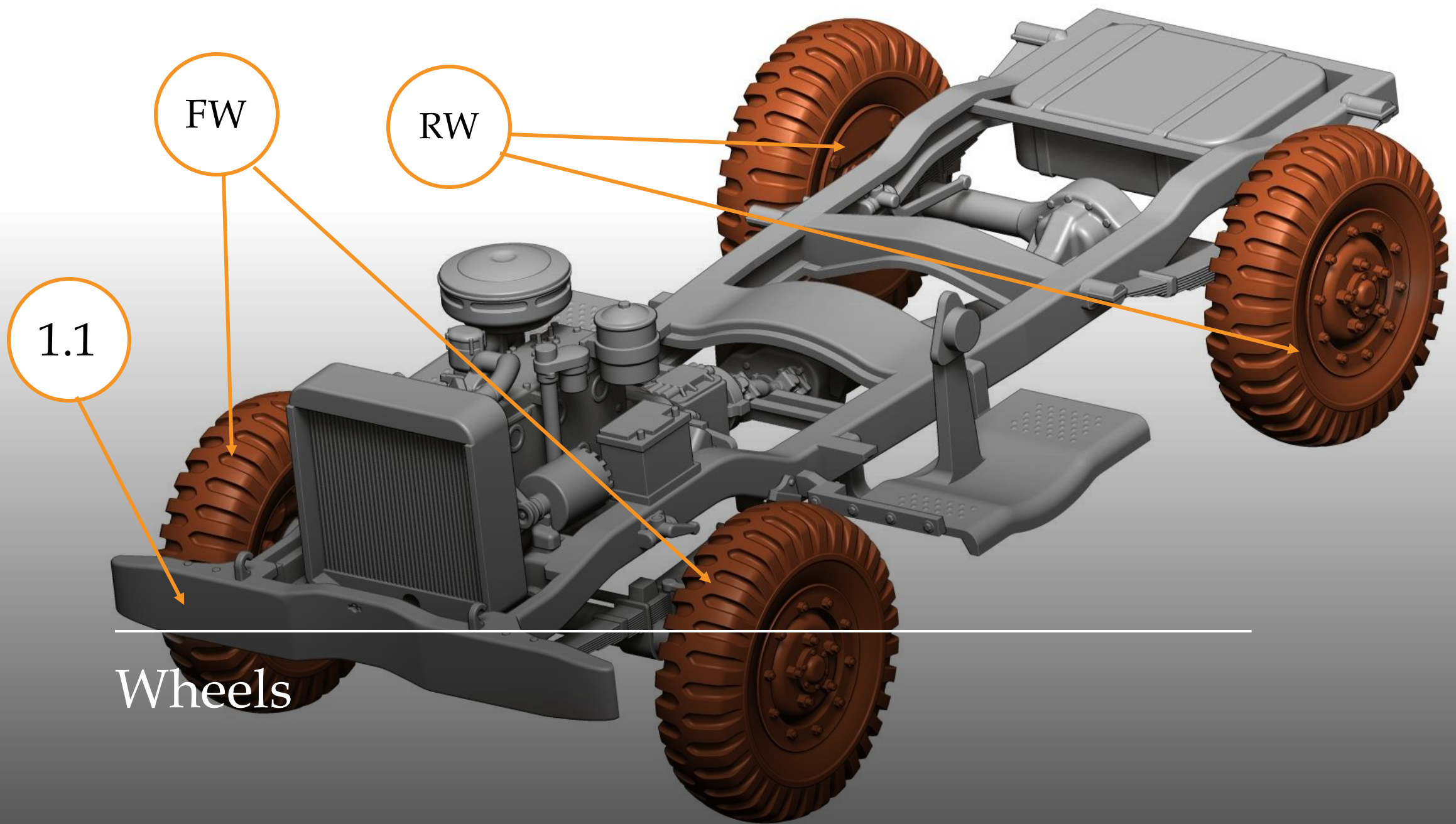


Engine and battery

12



Cooler

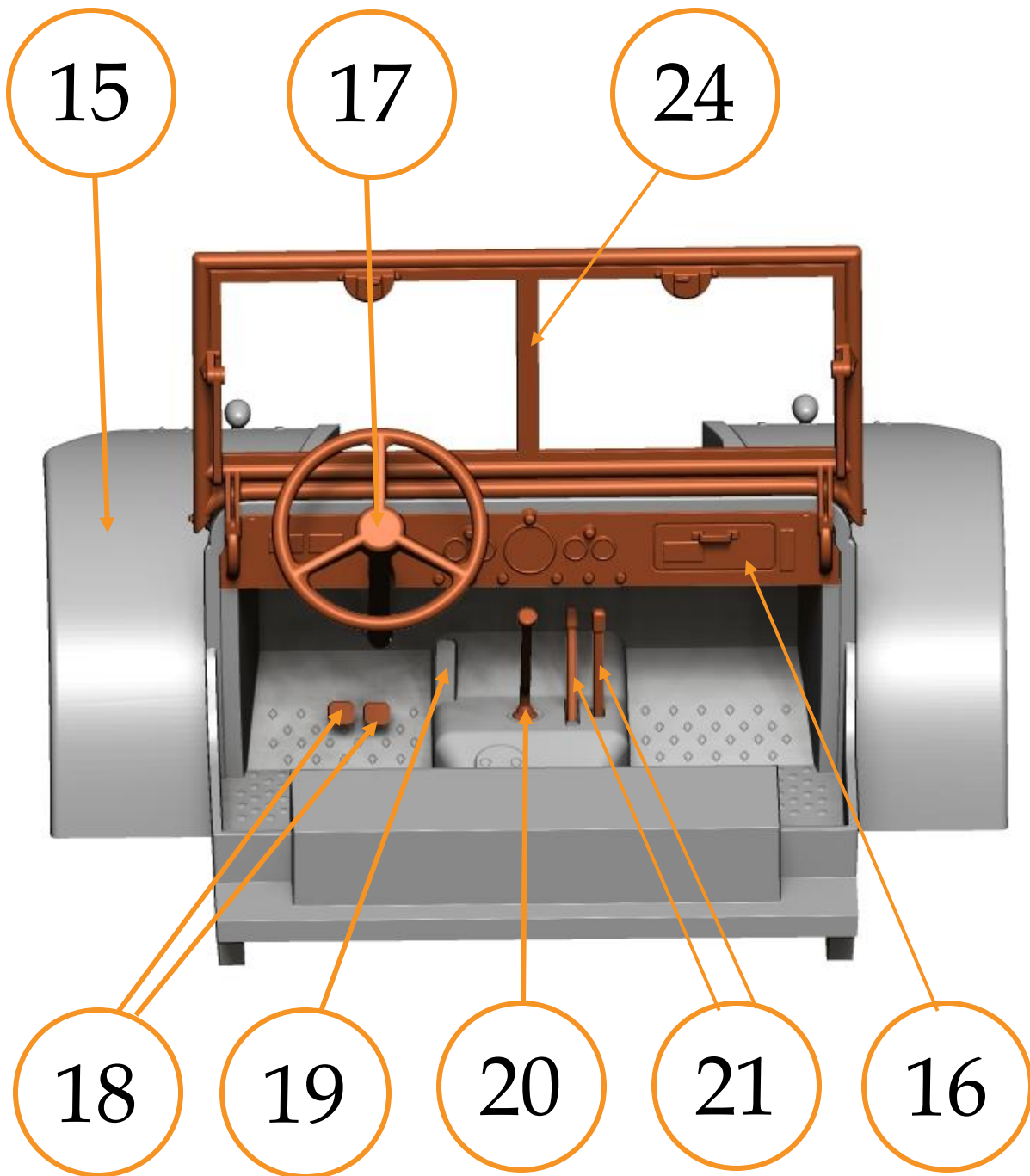


FW

RW

1.1

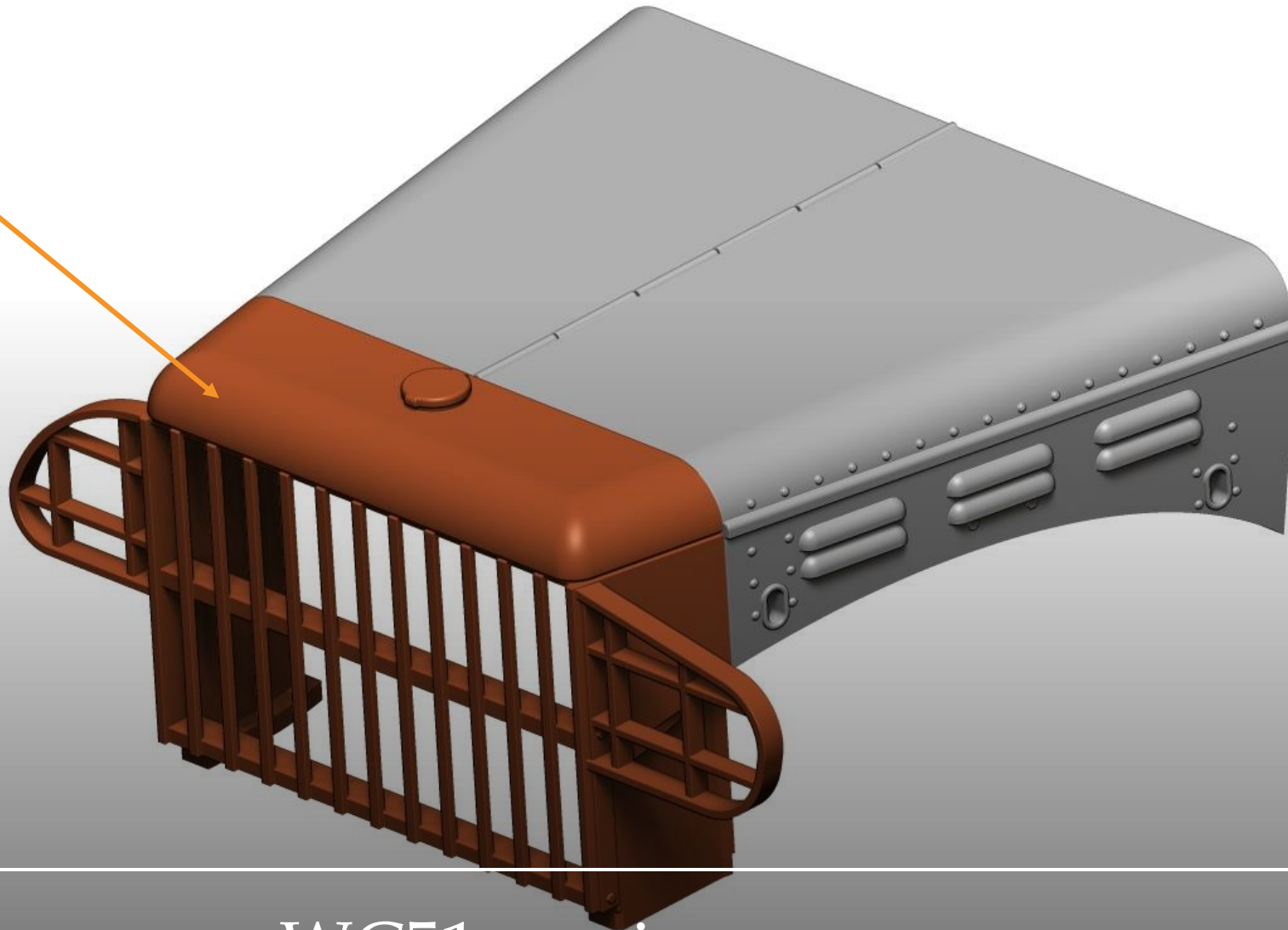
Wheels



Cab interior

- 15 - body
- 16 - instrument panel
- 17 - steering wheel
- 18 - brake & clutch pedal
- 19 - accelerator pedal
- 20 - gearbox lever
- 21 - off-roads lever
- 24 - window frame

29



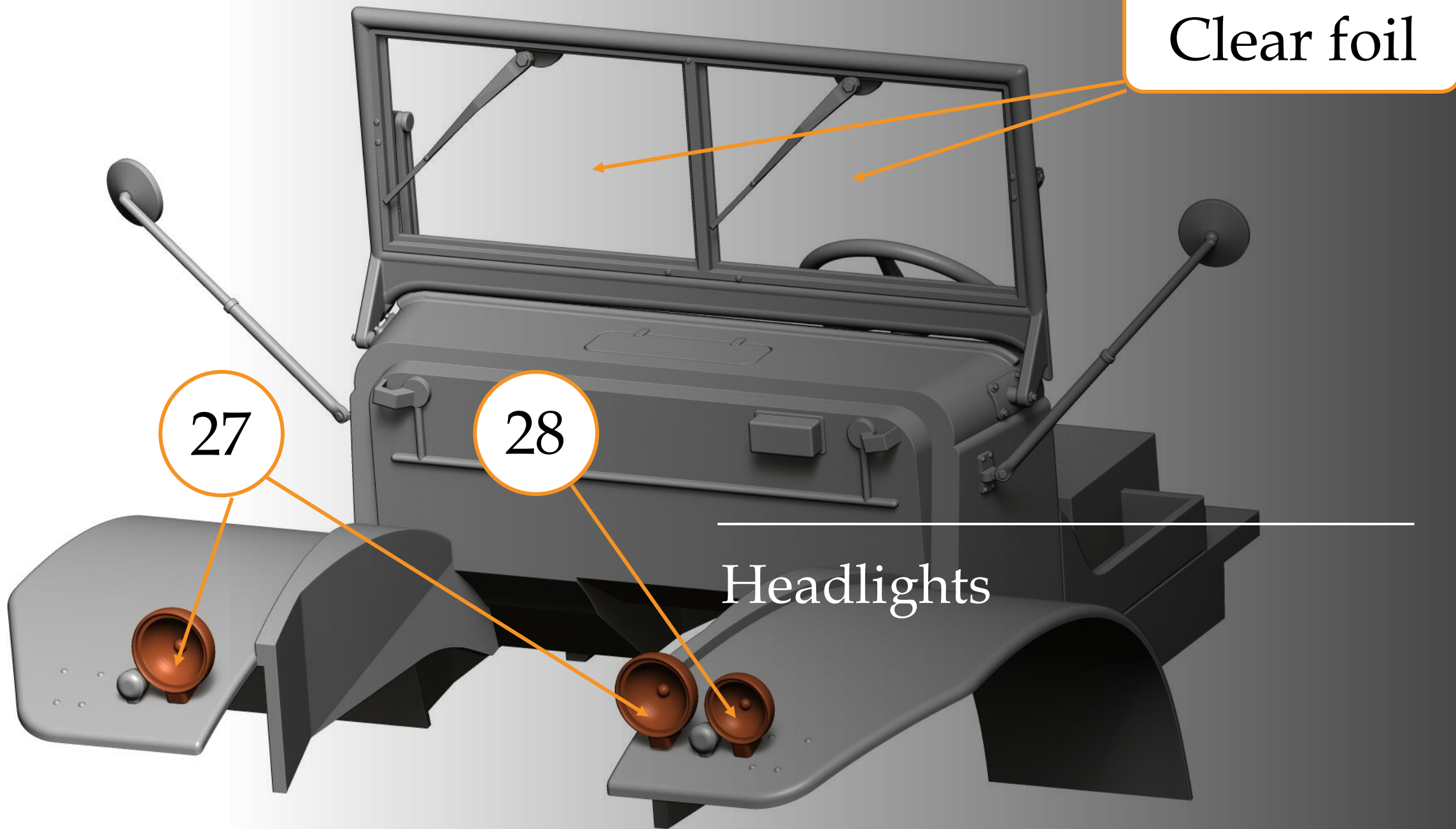
Cooler cover – WC51 version

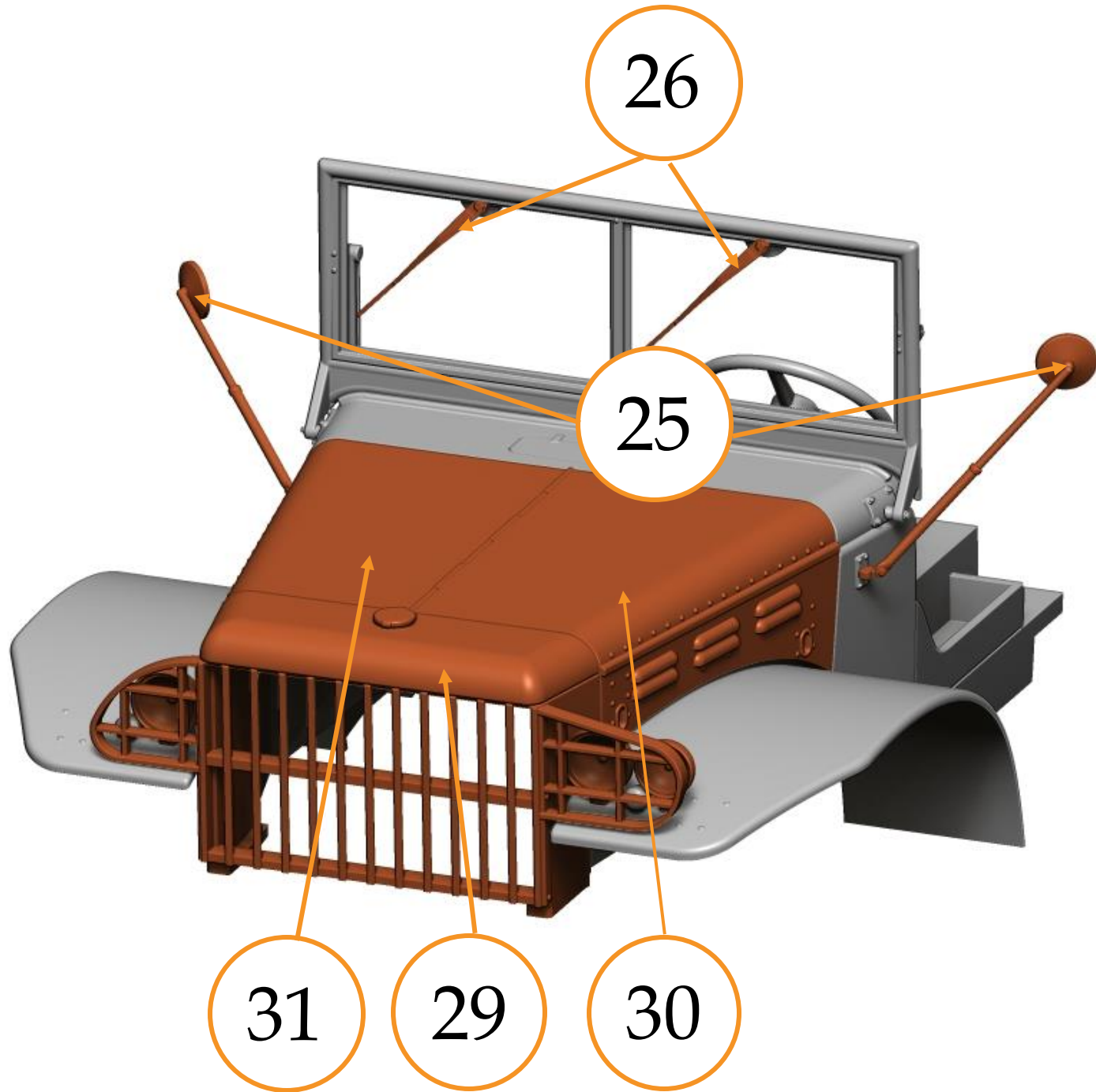
Clear foil

27

28

Headlights





Cab exterior

25 – mirrors

26 – wipers

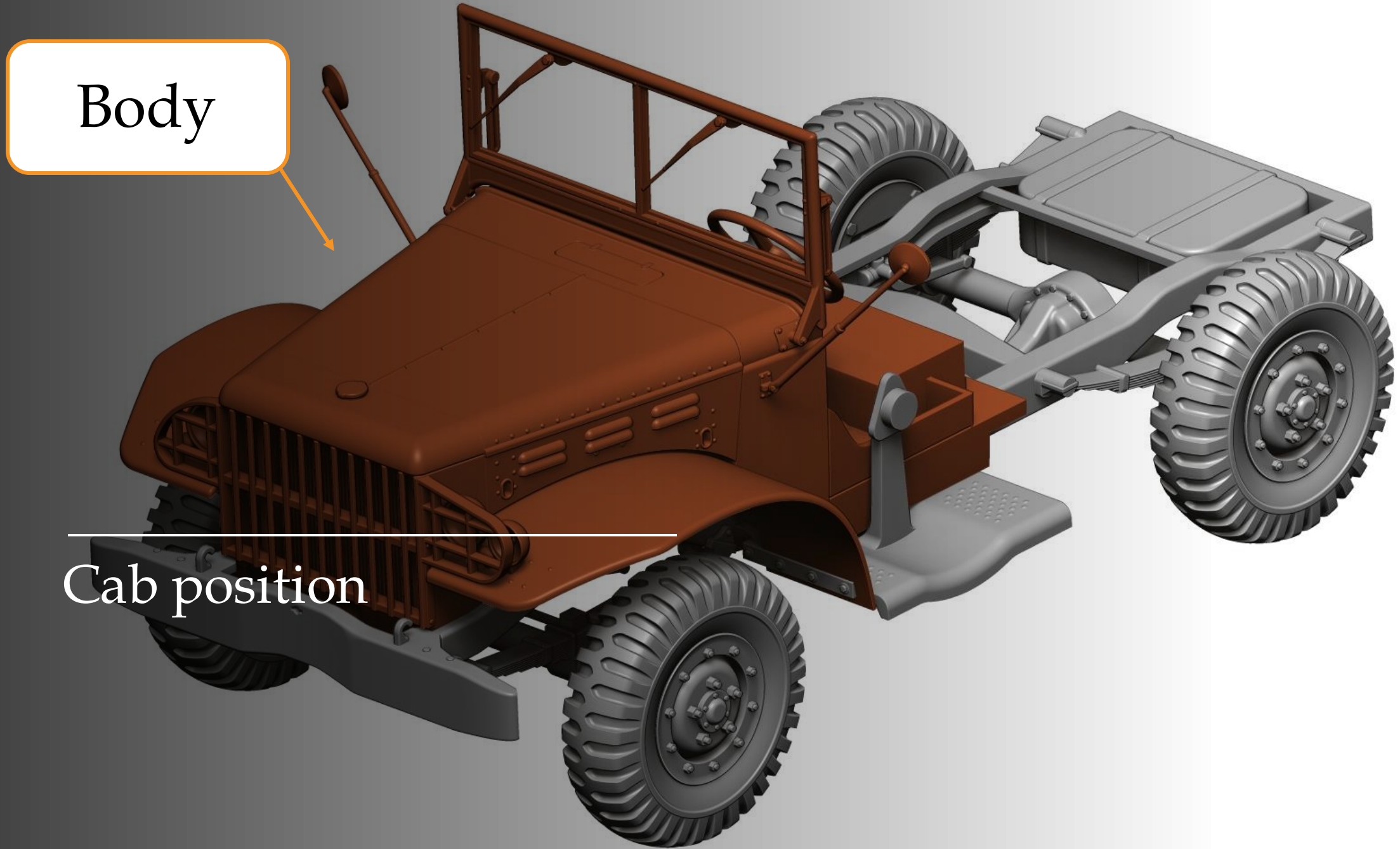
29 – cooler cover

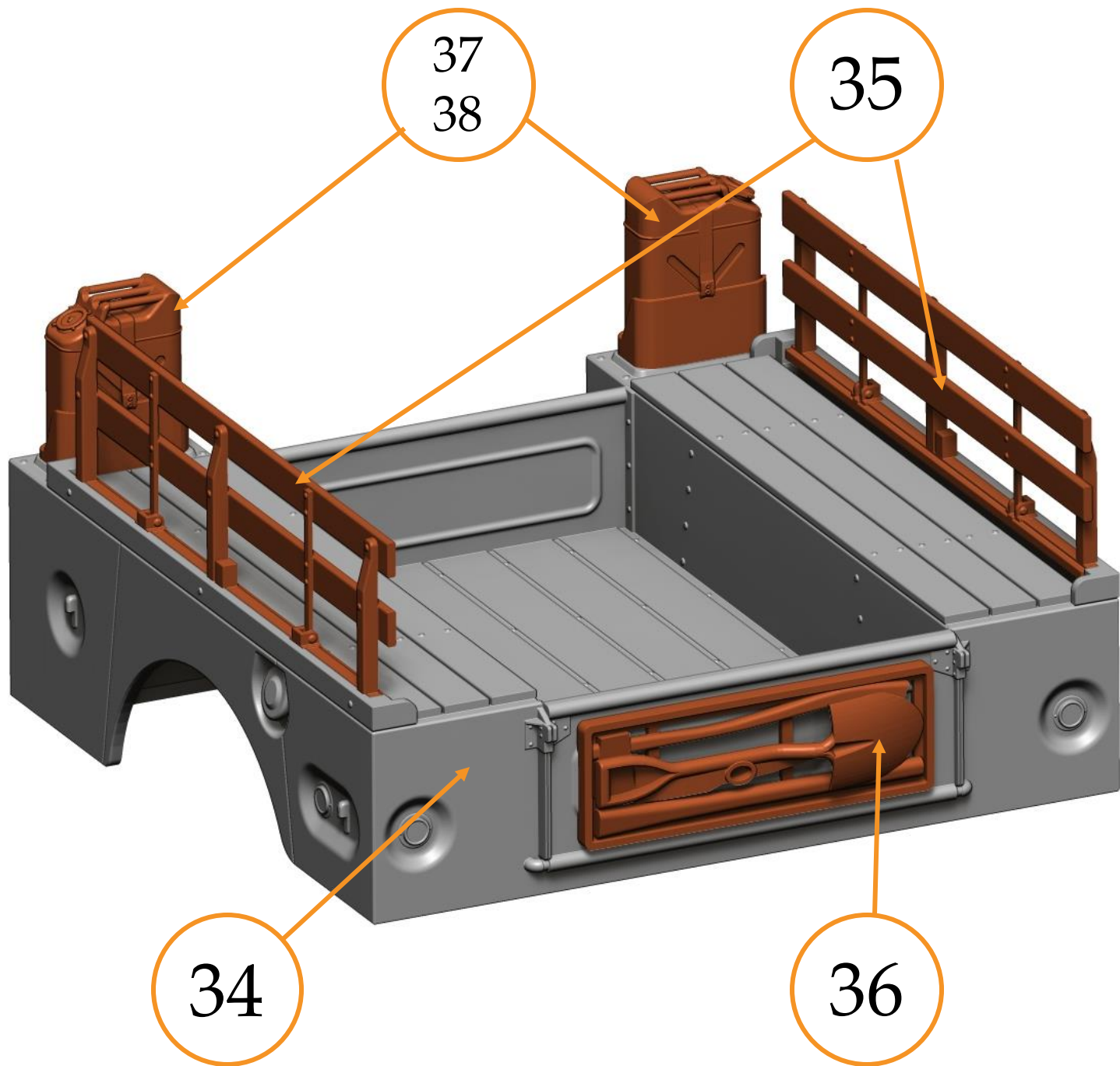
30 – engine hood left

31 – engine hood right

Body

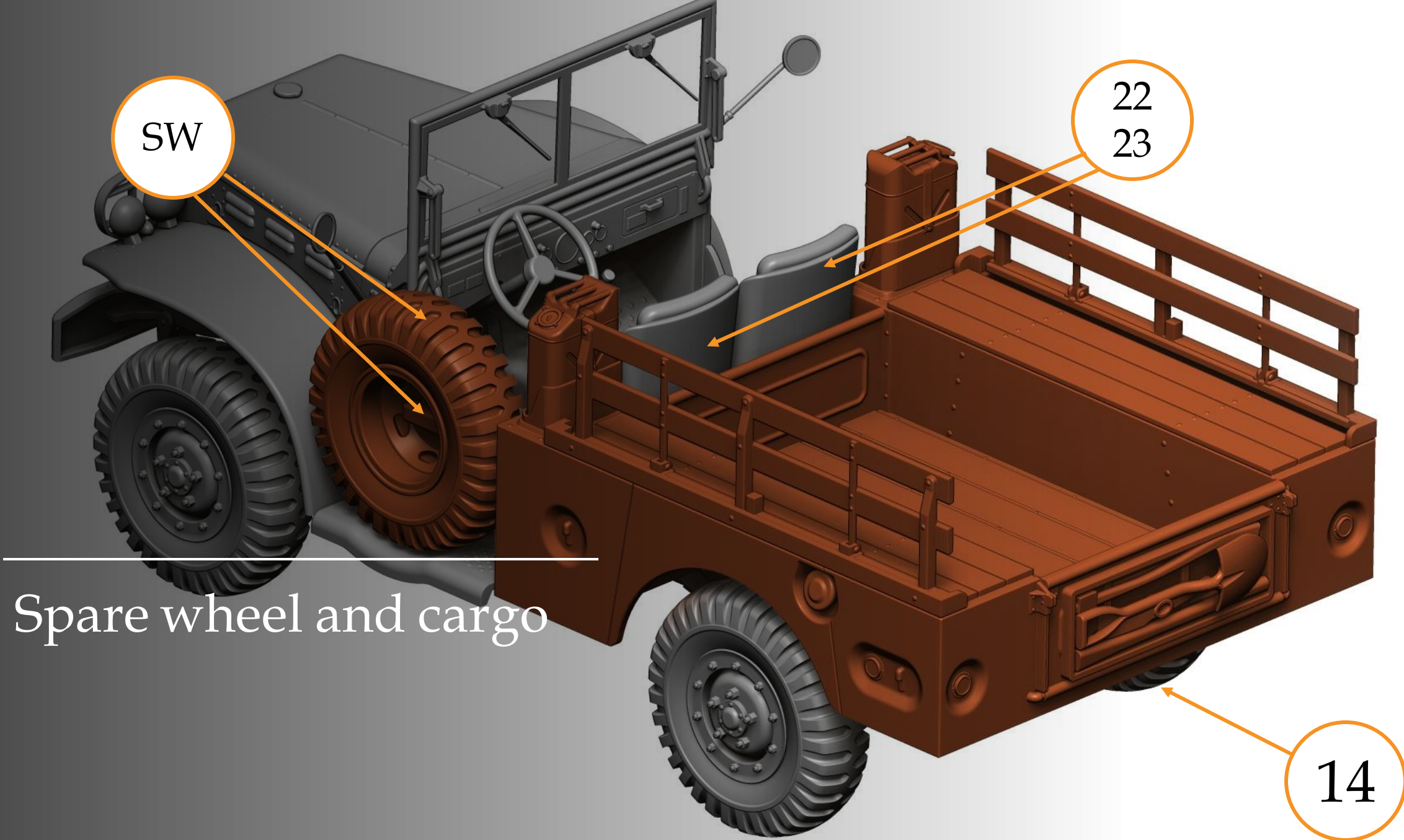
Cab position

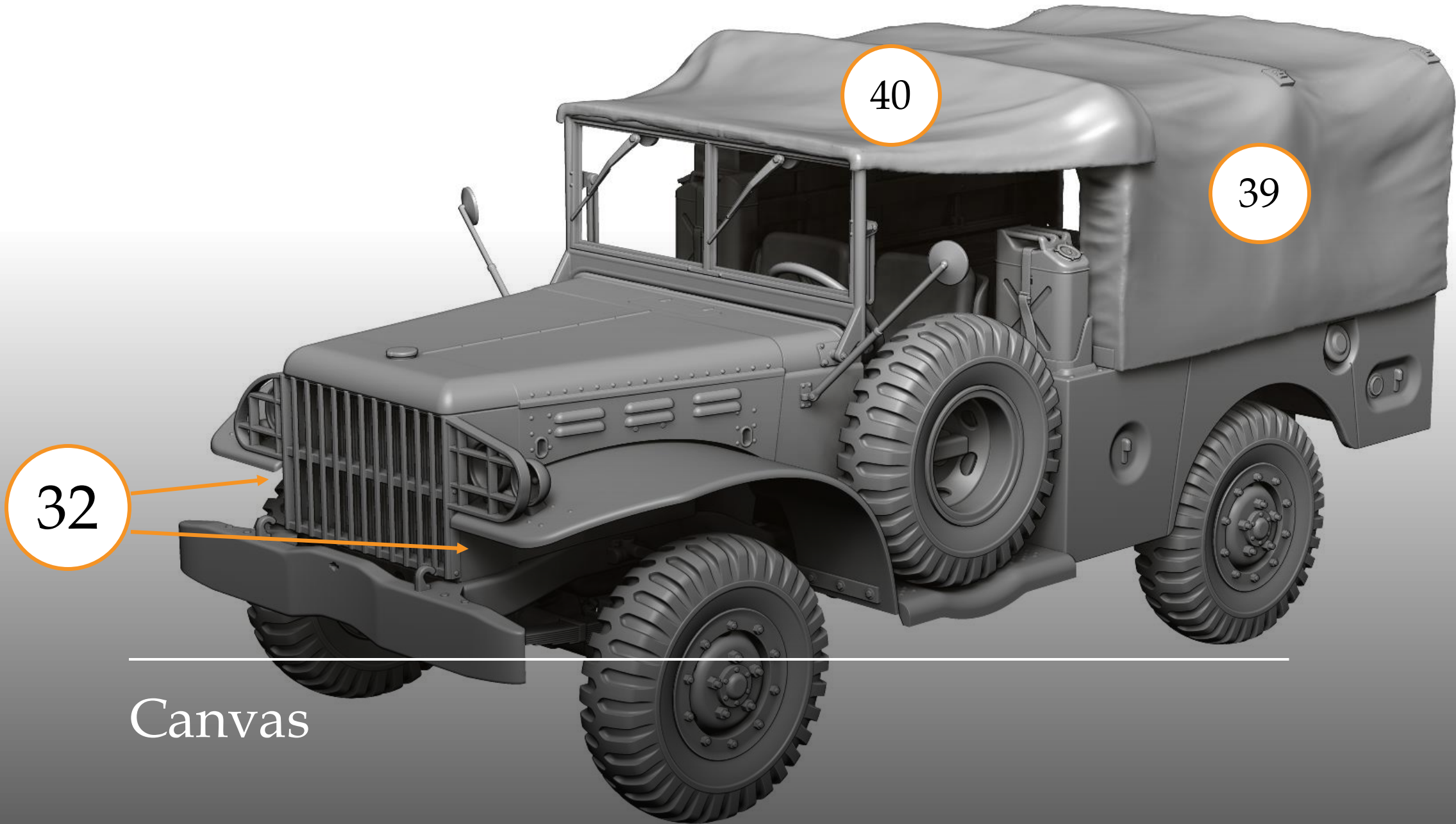




Cargo

- 34 – cargo body 4x4
- 35 – cargo railings
- 36 – tools frame
- 37/38 – canisters



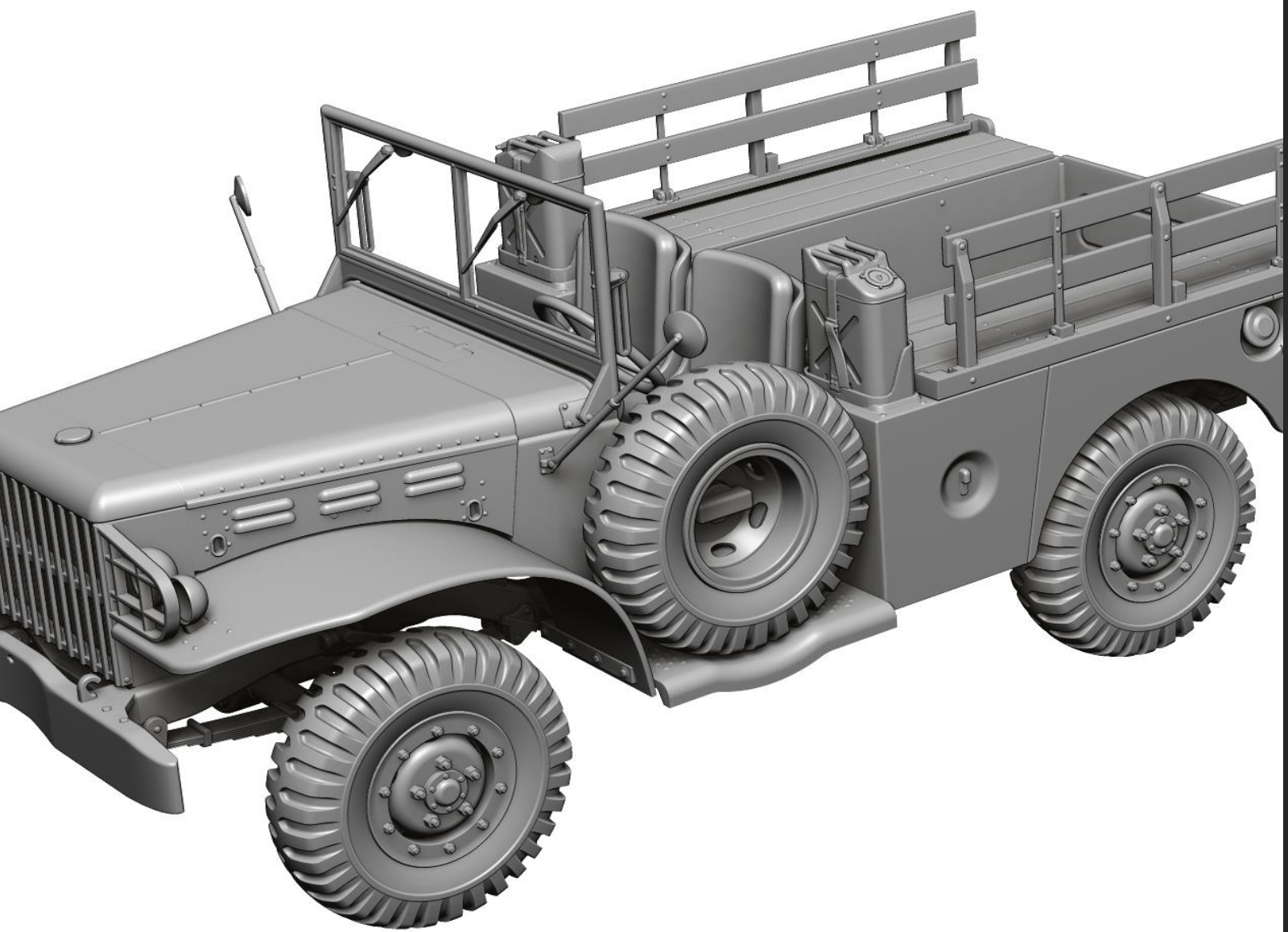


32

40

39

Canvas



DODGE WC51

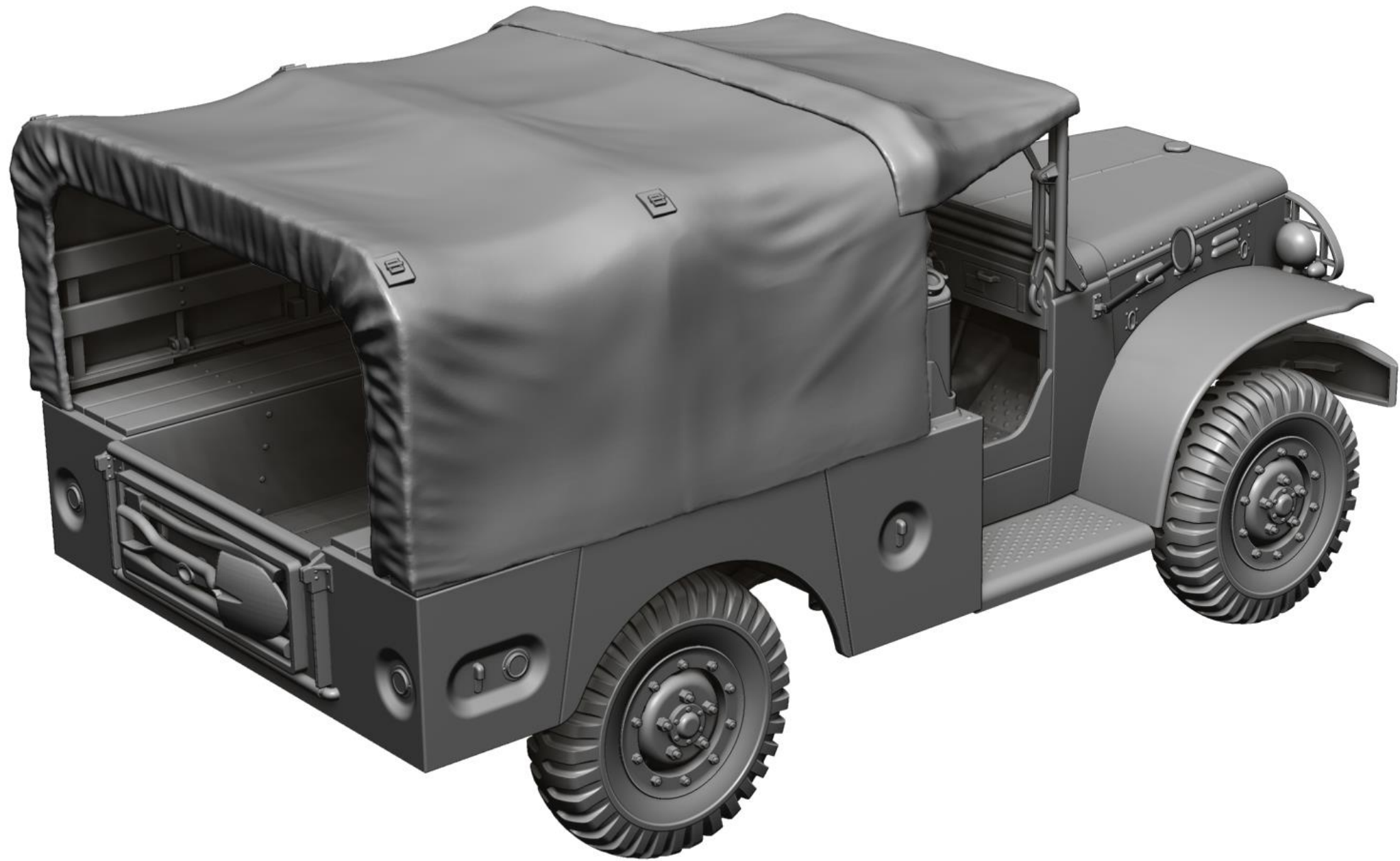
U.S. Military 3/4 Ton Truck

GENERAL VIEW











DOGFIGHT
WORKSHOP

Thank you for choosing our product. With each subsequent one we make every effort to make our models better and better.

Happy Modelling

Dogfight Workshop Team

gtogzx.webwave.dev

dogfightworkshop@gmail.com